



ROUGH TERRAIN FORKLIFT

2WD 2.0-5.0T
4WD 2.0-3.5T



MAIN SPECIALIST

Compact Size Designed For European Standard

Suspension Frame and Brake Pedal

Cyclone type Pre-cleaner

High Ground Clearance

Hydraulic Transmission

Heavy Duty Truck Tyre

LED Working Lights

Powerful Engines

Wide View Mast

VARIOUS APPLICATIONS SOLUTION

Agriculture Planting

Construction Site

Timber Forestry

Landscaping

Mining



Superior Performance in Extreme Conditions

4WD



Capacity 2.0-3.5 Ton

Small Turning Radius 3120mm

Wheel Hub Reduction

High Gradeability 45-50%

Yanmar engines

2WD / 4WD Converter Switch

2WD

Strong Flexibility in Rough Terrain

Capacity 2.0-5.0 Ton

Small Turning Radius 2800mm(3.5ton)

Yanmar/Mitsubishi/Perkins engines

100% Differential Lock

Low Height Profile 1990mm (Optional)







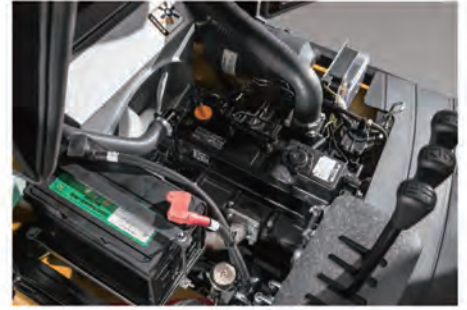
Right Positioned Lever

Provide the operator with the best comfort of operation position and also increase the better visibility.



Full Floating Safeguard

Greatly improve the frame vibration. High strength roof enhances the forklift reliability and safety.



Easy Maintenance

Designed larger space and compact wire distribution, it's convenient to have big checking and maintenance.



High Ground Clearance

Offer greater maneuverability and keep the machine moving in the roughest of applications.



Heavy Duty Truck Tyre

Industrial tyres with a wide footprint giving it greater stability and lift capacity in rough work environments.



Small Turning Radius

The bigger rear wheel steering angle makes the smaller turning radius.



Suspension Pedals

Provide extra foot space helps significantly deduct vibration from transmission.



LED Working Light

Offer a better lighting for operations and it's effective in energy conservation.



Wide-view Mast

Provides excellent through the mast visibility and allow safe operation.



**MITSUBISHI S4S (EU111A)
2WD 2-3.5Ton**

Rated output 35.5kw/2250rpm

Rated Torque 182N.m/1800rpm



**YANMAR 4TNU94L (EU111A)
2WD/4WD 2-3.5Ton**

Rated output 35.5kw/2400rpm

Rated Torque 191N.m/1200rpm



YANMAR 4TNE98 (EU/IIIA)
2WD/4WD 2-3.5Ton

Rated output 42.1kw/2300rpm
Rated Torque 196N.m/1700rpm

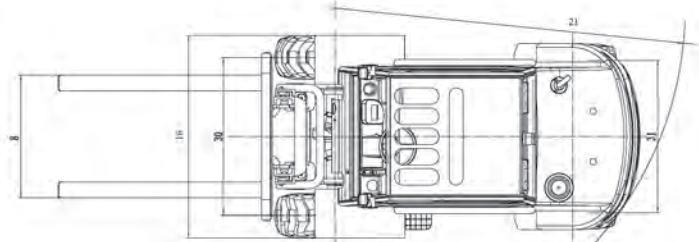
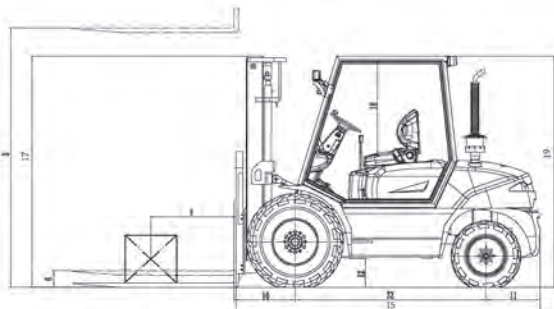


PERKINS 1104C-44TA (EU/IIIA)
2WD 4.0-5.0Ton

Rated output 74.5kw/2300rpm
Rated Torque 415N.m/1350rpm

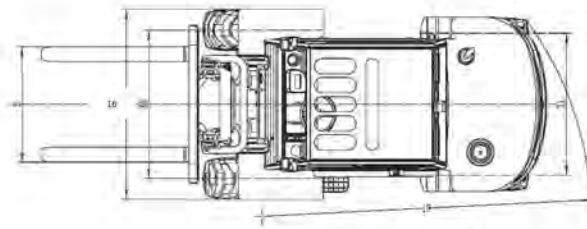
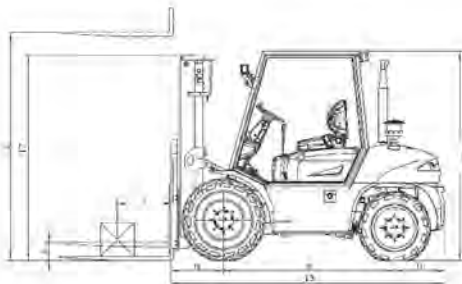
2WD Specification 2-3.5T

2WD 2.0/2.5/3.0/3.5/Low Height 2.5T			T25LP	T20	T25	T30	T35			
General	1	Model			T25LP	T20	T25	T30	T35	
	2	Power type			Diesel					
	3	Rated capacity		Kg	2500	2000	2500	3000	3500	
	4	Load centre		mm	500					
Characteristic&Dimension	5	Lifting height		mm	2700	3000				
	6	Free lift		mm	120	140	140	150	150	
	7	Fork size	LxWxT	mm	1220x125x40	1220x125x40	1220x125x40	1220x125x50	1220x125x50	
	8	Fork regulating range	Min./Max.	mm	16/1580	16/1580	16/1580	16/1580	16/1580	
	9	Mast tilt angle	F/R	Deg	10°/12°					
	10	Front overhang		mm	586	586	586	606	606	
	11	Rear overhang		mm	540	540	540	540	540	
	12	Min.ground clearance(drive steering axle)		mm	180	217	217	217	217	
	13	Min.ground clearance(chassis)		mm	190	285	285	285	285	
	14	Min.ground clearance(mast)		mm	190	270	270	270	270	
	15	Overall dimensions	Length to face of fork(without fork)		mm	3001	3001	3001	3001	3001
	16		Overall width		mm	1600				
	17		Mast lowered height		mm	1900	2220	2220	2270	2270
	18		Mast extended height(with backrest)		mm	3750	4280	4280	4330	4330
	19		Overhead guard height		mm	1990	2275	2275	2275	2275
	20		Height from seat surface to overhead guard inner side		mm	920	960	960	960	960
	21	Turning radius		mm	2785	2785	2785	2785	2785	
	22	Min. right angle stacking aisle width		mm	4810	4810	4810	4810	4810	
	Performance	23		Travel(Laden/Unladen)	Km/h	18/20	18/20	18/20	22/22	22/22
		24	Speed	Lifting	mm	570	570	570	450	450
		25		Lowering	mm	445	445	445	500	500
		26	Max. Drawbar pull		KN	17	17	17	17	17
27		Max. Gradeability		/	16	16	16	16	16	
Tyre	28	Tyre	Front		14-17.5-14PR					
	29		Rear		27x10-12-12PR					
	30	Tread	Front	mm	1250.5	1250.5	1250.5	1250.5	1250.5	
	31		Rear	mm	1205	1205	1205	1205	1205	
	32	Wheelbase		mm	1880					
Weight	33	Self weight		kg	5100	5050	5100	5200	5200	
	34	Weight distribution	Laden	Front axle	kg	5990	/	5990	/	7630
	35			Rear axle	kg	975	/	975	/	1050
	36		Unladen	Front axle	kg	1785	/	1785	/	2070
	37			Rear axle	kg	2680	/	2680	/	3110
Transmission	38	Battery	Voltage/Capacity		V/Ah	12V/90Ah				
	39	Fuel tank capacity		L	58	58	58	58	58	
	40	Transmission	Type			Hydraulic				
	42		Stage		F/R	1/1	1/1	1/1	1/1	1/1
	Operating pressure		Mpa	17.5						



AWD Specification 2-3.5T

AWD 2.0/2.5/3.0/3.5T									
General	1	Model		T20-4	T25-4	T30-4	T35-4		
	2	Power type		Diesel					
	3	Rated capacity		Kg	2000	2500	3000	3500	
	4	Load centre		mm	500				
	5	Lifting height		mm	3000				
	6	Free lift		mm	140	140	150	150	
	7	Fork size	LxWxT	mm	1220x125x40	1220x125x40	1220x125x50	1220x125x50	
Characteristic&Dimension	9	Mast tilt angle	F/R	Deg	10°/12°				
	10	Front overhang		mm	586	586	606	606	
	11	Rear overhang		mm	540	540	540	540	
	12	Min.ground clearance(drive steering axle)		mm	225	225	225	225	
	13	Min.ground clearance(chassis)		mm	255	255	255	255	
	14	Min.ground clearance(mast)		mm	270	270	270	270	
	15	Overall dimensions	Length to face of fork(without fork)		mm	3010	3010	3010	3010
	16		Overall width		mm	1600			
	17		Mast lowered height		mm	2225	2225	2275	2275
	18		Mast extended height(with backrest)		mm	4285	4285	4335	4335
	19		Overhead guard height		mm	2280	2280	2280	2280
	20		Height from seat surface to overhead guard inner side		mm	960			
	21	Turning radius		mm	3020				
	22	Min. right angle stacking aisle width		mm	4810	4810	4810	4810	
Performance	23	Speed	Travel(Laden/Unladen)		Km/h	22/22	22/22	20/20	20/20
	24		Lifting		mm	570	570	450	450
	25		Lowering		mm	445	445	500	500
	26	Max. Drawbar pull		KN	17	17	17	17	
	27	Max. Gradeability		/	45	45	45	45	
Tyre	28	Tyre	Front		14-17.5-14PR				
	29		Rear		10.0-75-15.3				
	30	Tread	Front		mm	1250	1250	1250	1250
	31		Rear		mm	1190	1190	1190	1190
	32	Wheelbase		mm	1880				
Weight	33	Self weight		kg	5200	5250	5400	5450	
	34	Weight distribution	Laden	Front axle		kg	/	/	/
	35			Rear axle		kg	/	/	/
	36		Unladen	Front axle		kg	/	/	/
	37			Rear axle		kg	/	/	/
Transmission	38	Battery	Voltage/Capacity		V/Ah	12V/90Ah			
	39	Fuel tank capacity		L	62				
	40	Transmission	Type		Hydraulic.				
	41		Stage	F/R	2/1				
	42		Operating pressure		Mpa	17.5			

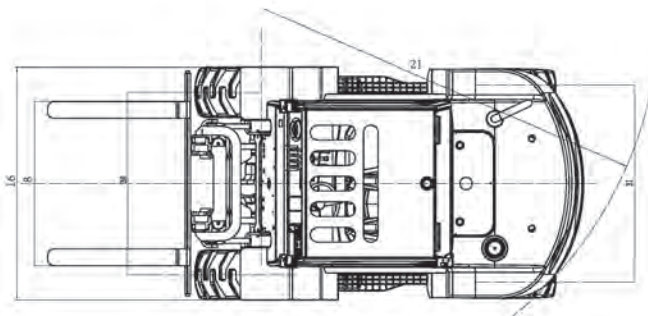


2WD Specification 4-5T

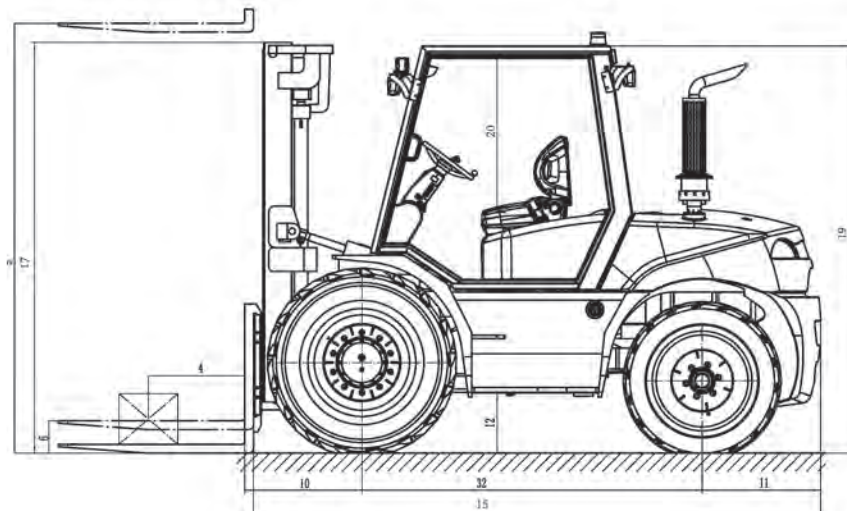
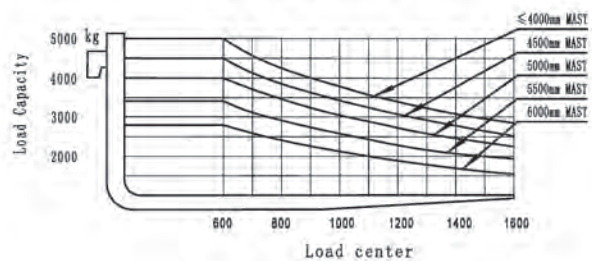
2WD 4.0/5.0T								
General	1	Model			T40	T50		
	2	Power type			Diesel			
	3	Rated capacity		Kg	4000	5000		
	4	Load centre		mm	600	600		
Characteristic&Dimension	5	Lifting height			3000			
	6	Free lift			/			
	7	Fork size	LxWxT		mm	1220x150x55	1220x150x55	
	8	Fork regulating range		Min./Max.	mm	16/2000	16/2000	
	9	Mast tilt angle		F/R	Deg	15°/15°		
	10	Front overhang			mm	732	732	
	11	Rear overhang			mm	740	740	
	12	Min.ground clearance(drive steering axle)			mm	324	324	
	13	Min.ground clearance(chassis)			mm	376	376	
	14	Min.ground clearance(mast)			mm	320	320	
	15	Overall dimensions	Length to face of fork(without fork)		mm	3541	3541	
	16		Overall width		mm	2076	2076	
	17		Mast lowered height		mm	2565	2565	
	18		Mast extended height(with backrest)		mm	/	/	
	19		Overhead guard height		mm	2541	2541	
	20		Height from seat surface to overhead guard inner side		mm	1003	1003	
	21	Turning radius			mm	3516	3516	
	22	Min. right angle stacking aisle width			mm	4810	4810	
Performance	23	Speed	Travel(Laden/Unladen)		Km/h	20/22	20/22	
	24		Lifting		mm	450	450	
	25		Lowering		mm	500	500	
	26	Max. Drawbar pull		KN	50	50		
	27	Max. Gradeability		/	30	30		
Tyre	28	Tyre	Front		445-65-22.5PR			
	29		Rear		12.5/80-18			
	30	Tread	Front		mm	1620	1620	
	31		Rear		mm	1720	1720	
	32	Wheelbase			mm	2125	2125	
Weight	33	Self weight			kg	9073	9073	
	34	Weight distribution	Laden	Front axle		kg	/	/
	35			Rear axle		kg	/	/
	36		Unladen	Front axle		kg	/	/
	37			Rear axle		kg	/	/
Transmission	38	Battery	Voltage/Capacity		V/Ah	24V/90Ah		
	39	Fuel tank capacity			L	95	95	
	40	Transmission	Type					
	41		Stage	F/R			2/1	2/1
	42		Operating pressure			Mpa	19.5	19.5

Mast Information-2WD 5T

MAST		MAST LOWERED HEIGHT (mm)	FREE LIFT ON FORKS (mm)		FRONT OVERHANG	MAST TILTING ANGLE FRONT/REAR	CAPACITY AT MAX.HEIGHT (kg)	
			WITH BACKREST	WITH BACKREST			LOAD CENTER 600mm	
Type	Lift Height						WITHOUT SIDE SHIFT CARRIAGE	WITH SIDE SHIFT CARRIAGE
		5T						
TOTAL VISIBILITY DUPLEX	3000mm	2565	/	/	732	15/15	5000	4750
	3300mm	2715	/	/	732	15/15	5000	4750
	3500mm	2815	/	/	732	15/15	5000	4750
	3700mm	2915	/	/	732	15/15	5000	4750
	4000mm	3115	/	/	732	15/15	5000	4750
	4500mm	3365	/	/	732	15/15	4500	4250
	5000mm	3615	/	/	732	6/6	4000	3750
	5500mm	3865	/	/	732	6/6	3500	3250
	6000mm	4115	/	/	732	6/6	3000	2750
FREE LIFTING TRIPLEX	4300mm	2515	1445	1495	732	15/15	4650	4400
	4500mm	2565	1495	1545	732	15/15	4500	4250
	4700mm	2630	1560	1610	732	15/15	4350	4100
	5000mm	2730	1660	1710	732	6/6	4000	3750
	6000mm	3165	1995	2045	732	6/6	3000	2750

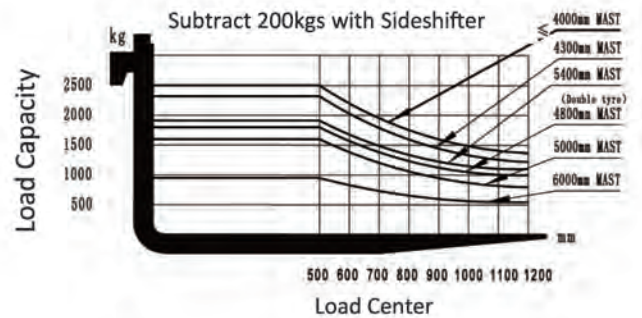
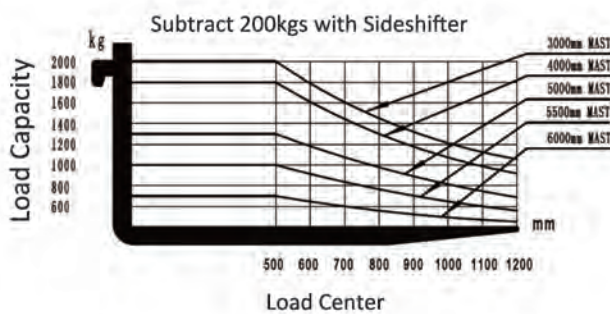


SUBTRACT 250kg WITH SIDESHIFTER

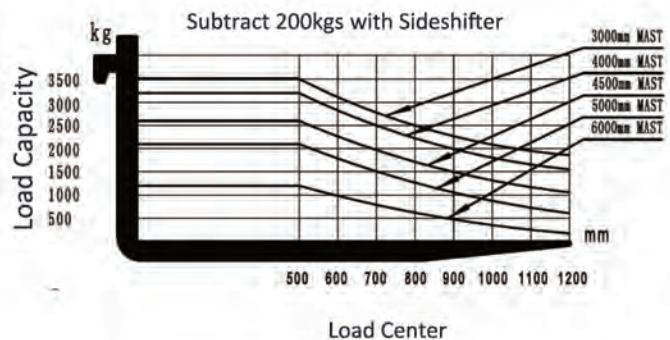
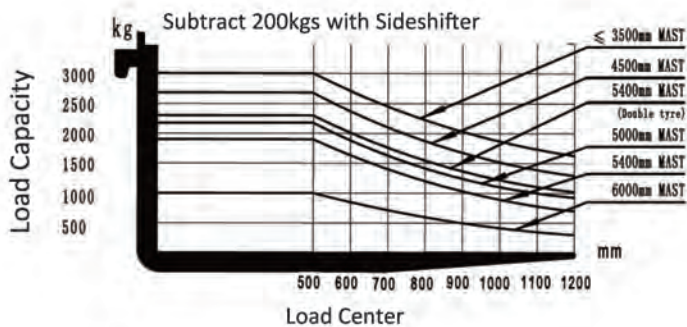


Mast Information-Standard 2WD/4WD 2-3.5T

MAST		MAST LOWERED HEIGHT (mm)				FREE LIFT ON FORKS (mm)							
						WITH BACKREST				WITNOUT BACKREST			
Type	Lift Height	2.0T	2.5T	3.0T	3.5T	2.0T	2.5T	3.0T	3.5T	2.0T	2.5T	3.0T	3.5T
TOTAL VISIBILITY DUPLEX	3000mm	2275				140	140	140	150	140	140	140	150
	3300mm	2425				140	140	140	150	140	140	140	150
	3500mm	2525				140	140	140	150	140	140	140	150
	3700mm	2625				140	140	140	150	140	140	140	150
	4000mm	2825				140	140	140	150	140	140	140	150
	4500mm	3075				140	140	140	150	140	140	140	150
	5000mm	/				140	140	140	150	140	140	140	150
	5500mm	/				140	140	140	150	140	140	140	150
	6000mm	/				140	140	140	150	140	140	140	150
FREE LIFTING TRIPLEX	4300mm	2225				737				1200			
	4500mm	2275				887				1350			
	4700mm	2325				1037				1550			
	5000mm	2480				1265				1710			
	5500mm	2655				1430				1875			
	6000mm	2875				1615				2060			



FRONT OVERHANG				MAST TILTING ANGLE FRONT/REAR				CAPACITY AT MAX.HEIGHT (Kg)							
								LOAD CENTER 500mm							
								WITHOUT SIDE SHIFT CARRIAGE				WITH SIDE SHIFT CARRIAGE			
2.0T	2.5T	3.0T	3.5T	2.0T	2.5T	3.0T	3.5T	2.0T	2.5T	3.0T	3.5T	2.0T	2.5T	3.0T	3.5T
586	586	606	606	10/12				2000	2500	3000	3500	2000	2500	2800	3300
586	586	606	606	10/12				2000	2500	2800	3300	2000	2500	2800	3300
586	586	606	606	10/12				2000	2500	3000	3500	2000	2500	2800	3300
586	586	606	606	10/12				2000	2500	3000	3500	2000	2500	2800	3300
586	586	606	606	10/12				2000	2500	2800	3300	2000	2500	2600	3100
586	586	606	606	10/12				1700	2200	2400	2900	1700	2200	2400	2700
586	586	606	606	6/6				/	/	/	/	/	/	/	/
586	586	606	606	6/6				/	/	/	/	/	/	/	/
586	586	606	606	6/6				/	/	/	/	/	/	/	/
568	568	606	606	10/12				1900	2400	2700	3000	1700	2200	2500	2800
568	568	606	606	10/12				2000	2200	2500	2900	2000	2200	2300	2700
568	568	606	606	10/12				1600	2100	2400	2800	1400	1900	2200	2600
568	568	606	606	6/6				1400	1800	2100	2500	1200	1600	1900	2300
568	568	606	606	6/6				1000	1400	1700	2100	800	1200	1450	1900
568	568	606	606	6/6				800	1000	1300	1700	600	800	1100	1500



Mast Information-Low Height Profile 2WD 2-2.5T

MAST		MAST LOWERED HEIGHT (mm)				FREE LIFT ON FORKS (mm)							
						WITH BACKREST				WITNOUT BACKREST			
Type	Lift Height	2.0T	2.5T	3.0T	3.5T	2.0T	2.5T	3.0T	3.5T	2.0T	2.5T	3.0T	3.5T
TOTAL VISIBILITY DUPLEX	2700mm	1900	/	/		140	140	/	/	140	140	/	/
	3000mm	2050	/	/		140	140	/	/	140	140	/	/
	3300mm	2200	/	/		140	140	/	/	140	140	/	/
FREE LIFTING TRIPLEX	2700mm	1900				920				11400			



FRONT OVERHANG				MAST TILTING ANGLE FRONT/REAR				CAPACITY AT MAX.HEIGHT (Kg)							
								LOAD CENTER 500mm							
								WITHOUT SIDE SHIFT CARRIAGE				WITH SIDE SHIFT CARRIAGE			
2.0T	2.5T	3.0T	3.5T	2.0T	2.5T	3.0T	3.5T	2.0T	2.5T	3.0T	3.5T	2.0T	2.5T	3.0T	3.5T
586	586	/	/	10/12	10/12	/	/	2000	2500	/	/	2000	2500	/	/
586	586	/	/	10/12	10/12	/	/	2000	2500	/	/	2000	2500	/	/
586	586	/	/	10/12	10/12	/	/	2000	2500	/	/	2000	2500	/	/
568		606		10/12				2000	2500	/	/	2000	2500	/	/





Tel: 032 947 0170 | E-mail: info@maniq.co.za
Address: Unit 11, Acacia Park, Shakashead/Imbonini, (Next to R102 MAIN ROAD)



DLift reserves the right to make any changes without notice concerning colours, equipment: or specification detailed in this brochure, or to discontinue individual models. The configuration of trucks, delivered may differ slightly from those in brochures.